

THE INFORMATION CONTAINED IN THIS DRAWING IS THE SOLE PROPERTY OF CAROLINA SPECIALTY TOOLS. ANY REPRODUCTION IN PART OR AS A WHOLE WITHOUT THE WRITTEN PERMISSION OF CAROLINA SPECIALTY TOOLS IS PROHIBITED.

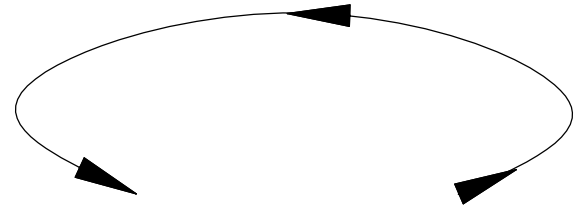
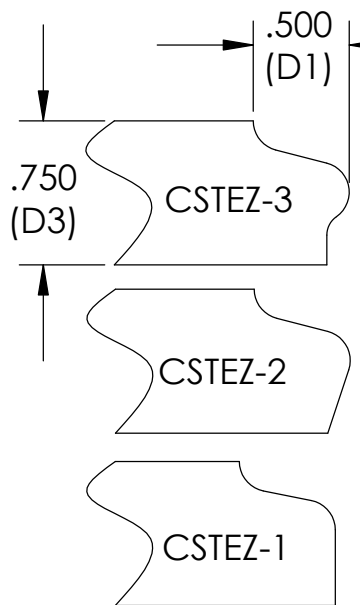


Carolina Specialty Tools, Inc.
 7600 Carolina Tools Drive
 Connelly Springs NC, 28612
 ph. 828-397-2467 fax 828-397-4008
 1-866-770-TOOL 1-866-418-TOOL
 www.carolinatools.com

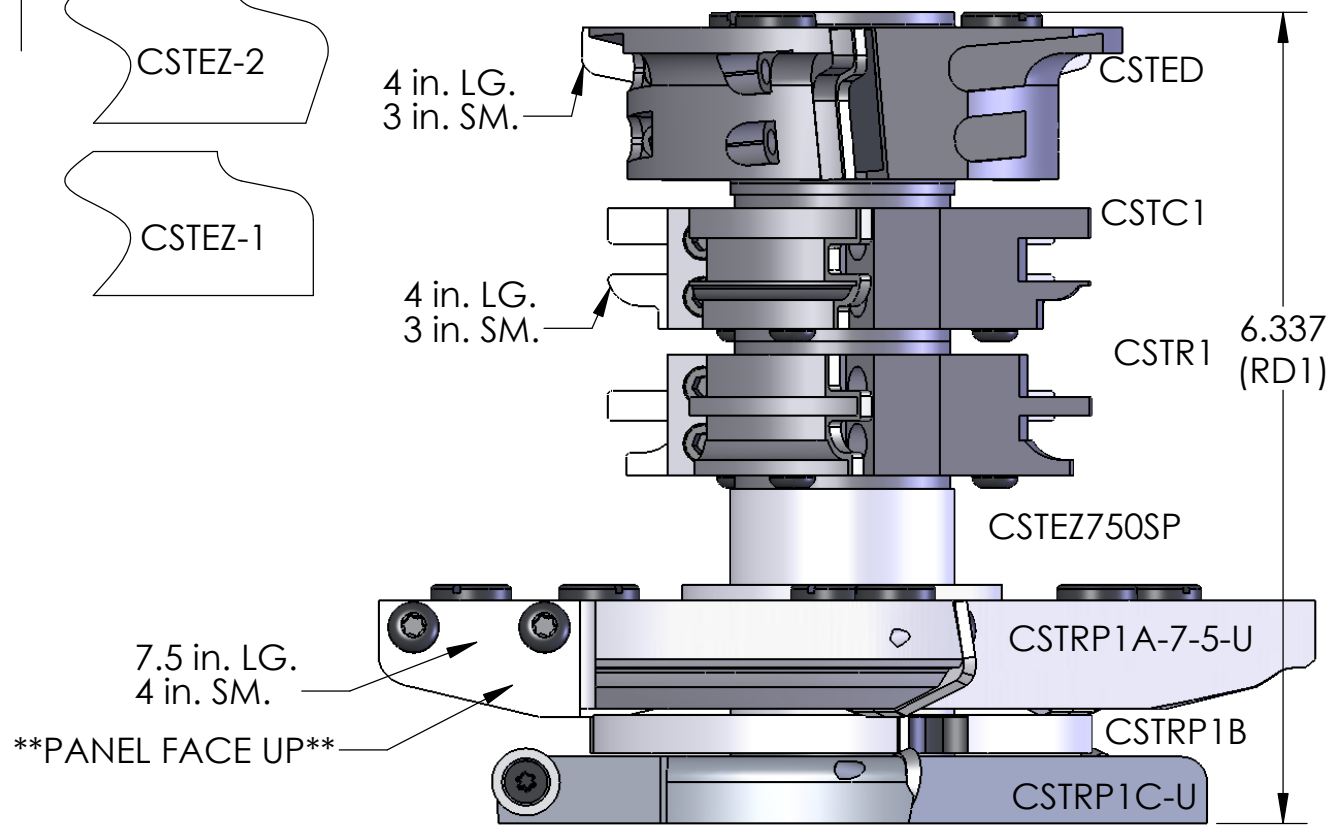
DWG. NO. **EZ-DOOR_STACK**
 Customer: **Fletcher Machine**
 Drawn By: **CJN** SCALE: 1:1
 DATE: Tuesday, January 23, 2007 2:55:06 PM

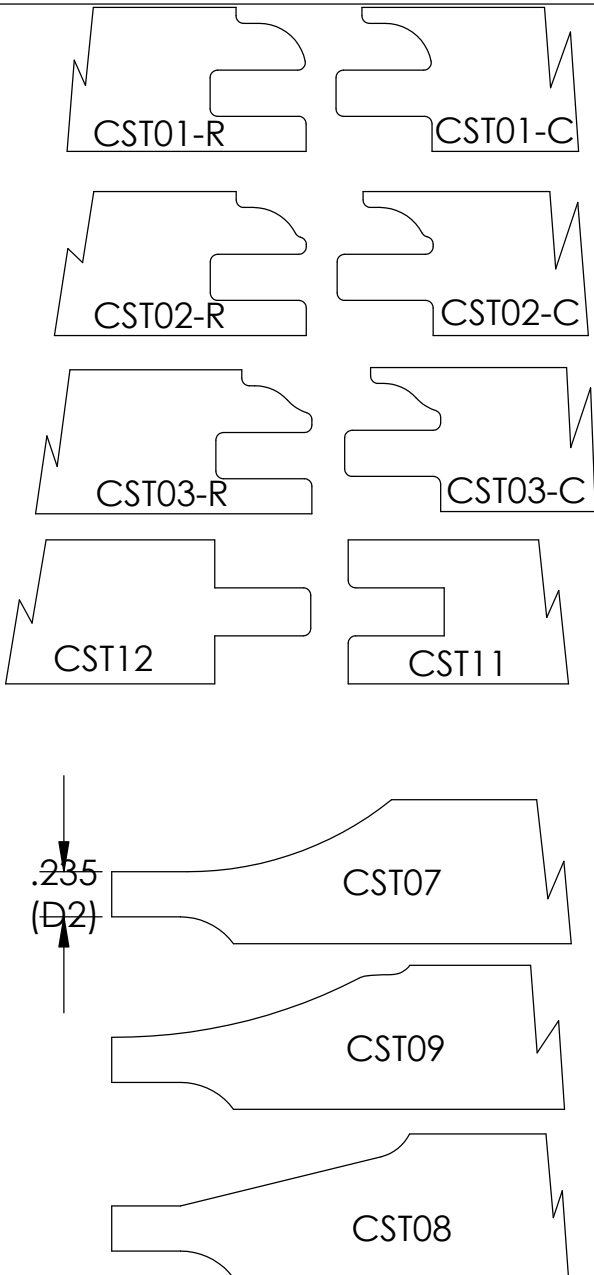
MAX RPM: ?

ETCH: CST LOGO



STACK IS NOT TO SCALE





THE INFORMATION CONTAINED IN THIS DRAWING IS THE SOLE PROPERTY OF CAROLINA SPECIALTY TOOLS. ANY REPRODUCTION IN PART OR AS A WHOLE WITHOUT THE WRITTEN PERMISSION OF CAROLINA SPECIALTY TOOLS IS PROHIBITED.

MAX RPM: ?

Carolina Specialty Tools, Inc.
 7600 Carolina Tools Drive
 Connelly Springs NC, 28612
 ph. 828-397-2467 fax 828-397-4008
 1-866-770-TOOL 1-866-418-TOOL
 www.carolinatools.com

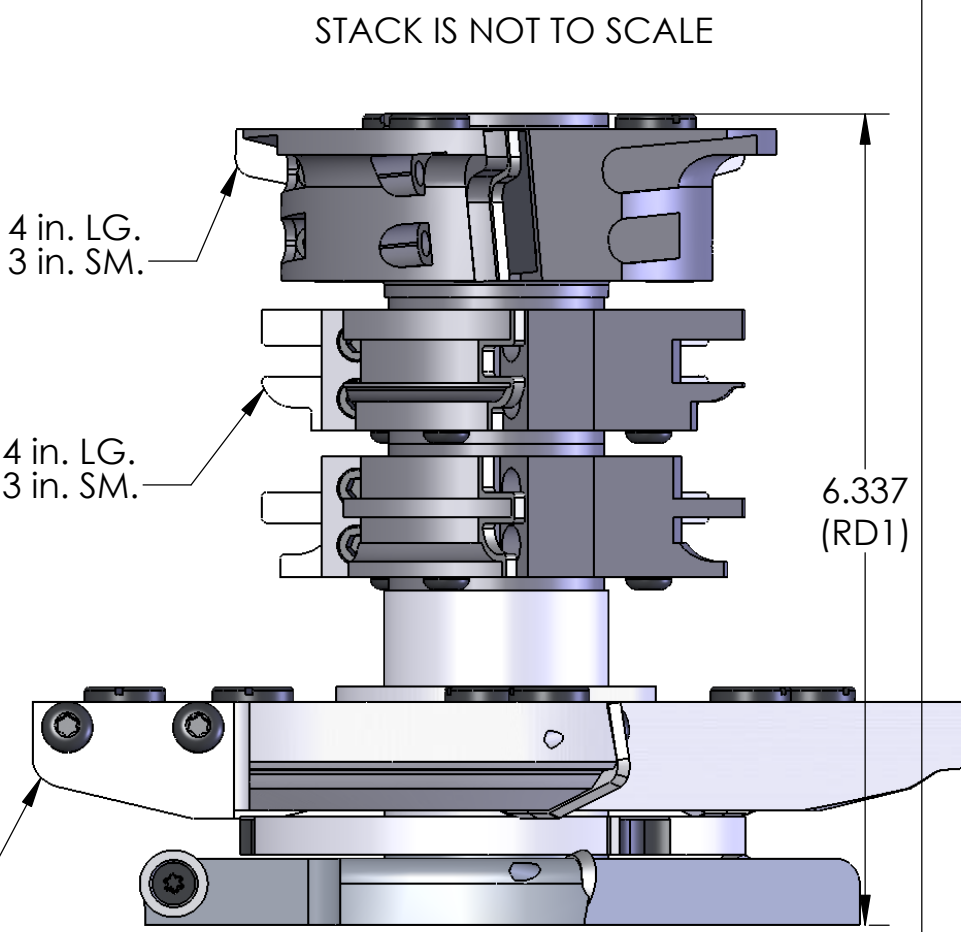
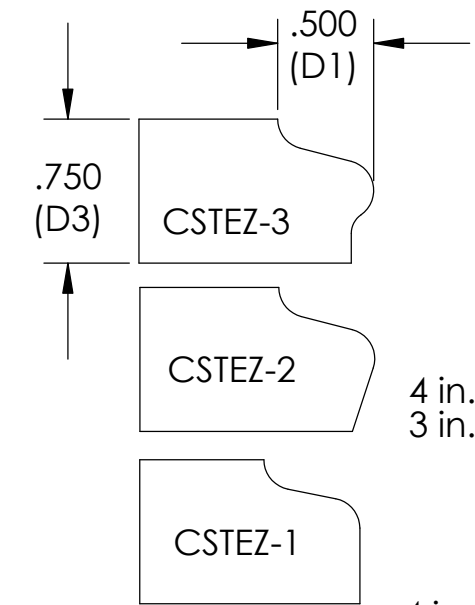
ETCH: CST LOGO

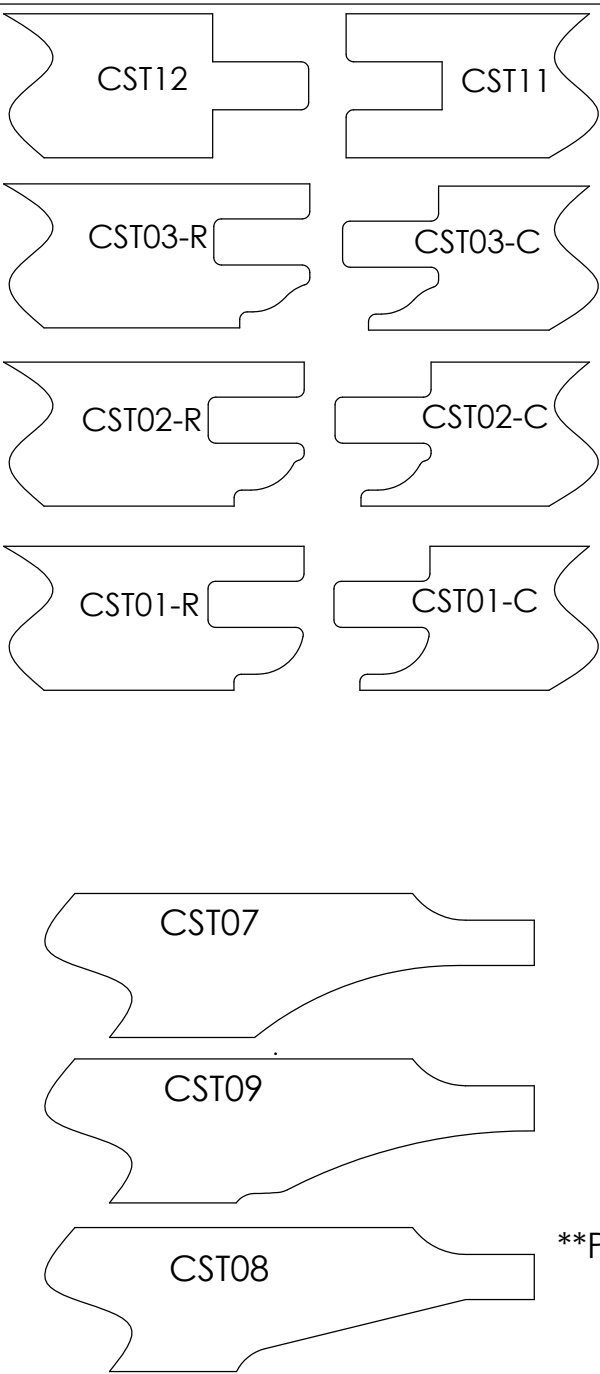
DWG. NO. **EZ-DOOR_STACK**

Customer: **Fletcher Machine**

Drawn By: **CJN** SCALE: 1:1

DATE: Friday, January 19, 2007 8:15:22 AM





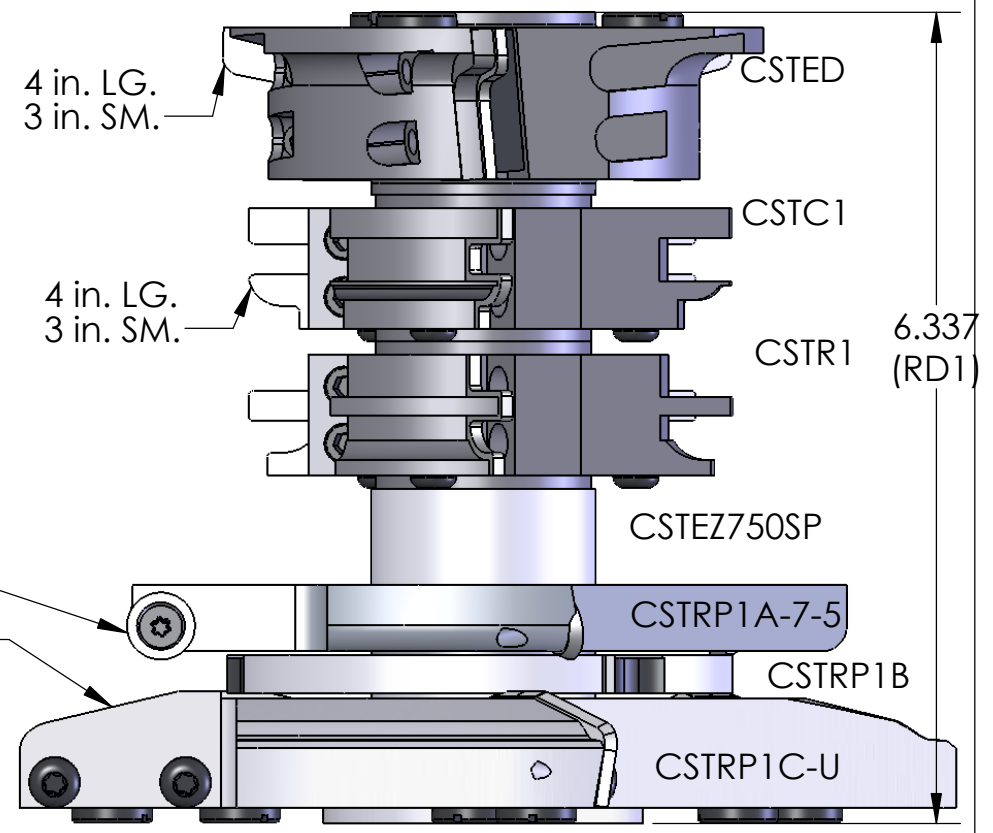
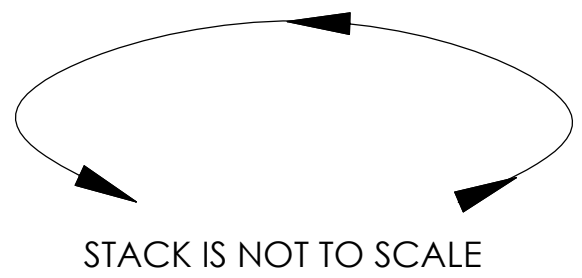
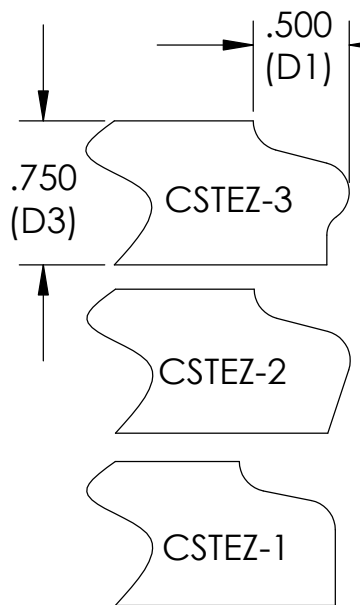
THE INFORMATION CONTAINED IN THIS DRAWING IS THE SOLE PROPERTY OF CAROLINA SPECIALTY TOOLS. ANY REPRODUCTION IN PART OR AS A WHOLE WITHOUT THE WRITTEN PERMISSION OF CAROLINA SPECIALTY TOOLS IS PROHIBITED.

MAX RPM: ?

Carolina Specialty Tools, Inc.
 7600 Carolina Tools Drive
 Connelly Springs NC, 28612
 ph. 828-397-2467 fax 828-397-4008
 1-866-770-TOOL 1-866-418-TOOL
 www.carolinatools.com

ETCH: CST LOGO

DWG. NO. EZ-DOOR_STACK-FD
 Customer: Fletcher Machine
 Drawn By: CJN SCALE: 1:1
 DATE: Tuesday, January 23, 2007 2:41:28 PM



****PANEL FACE DOWN****